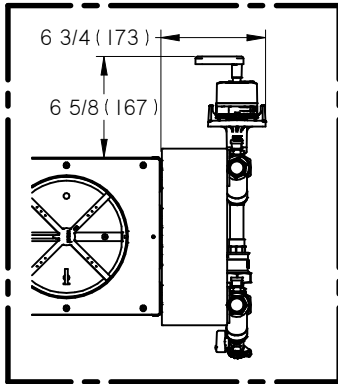


OPTIONAL NEMA1 CONTROL ENCLOSURE



**3-WAY DETAIL**

UNIT SIZE	MAX CFM	MAX L/S	WIDTH	HEIGHT	INLET SIZES	LENGTH			
			W	H	D	L	A	B	
4	400	189	12 (305)	8 (203)	3 7/8 (98)	15 3/4 (400)	4 3/8 (111)	3 13/16 (97)	
5	500	236			4 7/8 (124)				
6	550	260		5 7/8 (149)					
7	800	378		6 7/8 (175)					
8	1100	519	14 (356)	10 (254)	7 7/8 (200)	19 1/4 (489)	5 5/16 (135)		
9	1400	661		12 1/2 (318)	8 7/8 (225)				
10	1800	850	15 (381)	9 7/8 (251)					
12	2600	1227	16 (406)	11 7/8 (302)					
14	3700	1746	20 (508)	17 1/2 (445)	13 7/8 (352)	23 7/8 (603) x 15 7/8 (403)	15 1/2 (394)	3 1/2 (89)	2 3/4 (70)
16	5000	2360	24 (610)	18 (457)	15 7/8 (403)				
24 x 16	8400	3964	38 (965)						

**STANDARD CONSTRUCTION:**

- 1/2" (13mm) THICK INTERNAL FIBERGLASS INSULATION WHICH MEETS REQUIREMENTS OF NFPA 90A AND UL181.
- 22GA. ZINC COATED STEEL HOUSING. MECHANICALLY SEALED, LEAK RESISTANT CONSTRUCTION.
- RECTANGULAR DISCHARGE OPENING WITH SLIP AND DRIVE CLEAT DUCT CONNECTION.
- MULTI-POINT, CENTER AVERAGING AIRFLOW SENSOR.
- 1/2" (13mm) ZINC PLATED DAMPER SHAFT WITH POSITION INDICATOR.
- SIZES 4 & 5 USE AN INLET REDUCER.

**CONTROLS OPTIONS:**

- FACTORY MOUNTED DIGITAL CONTROLS, SUPPLIED BY OTHERS (FAC)
- FIELD MOUNTED, CONTROLS SUPPLIED BY OTHERS (FLD)
- DIGITAL CONTROLS SUPPLIED AND MOUNTED BY PRICE (EHP)

**UNIT OPTIONS:**

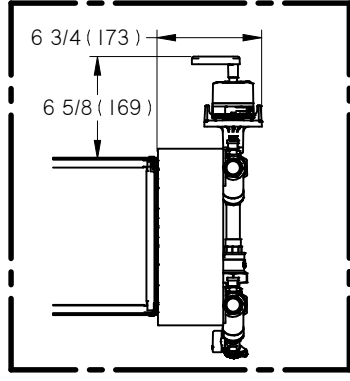
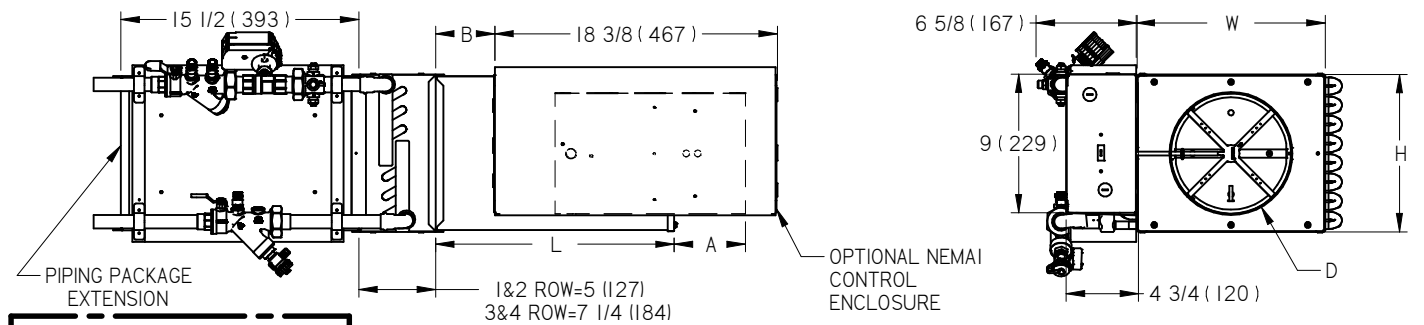
- NEMA1 CONTROLS ENCLOSURE (PS)
- DISCONNECT SWITCH (DSW)
- 20 GAUGE CASING (20GA)
- HANGER BRACKETS (HB)
- BOTTOM REMOVABLE SENSOR (RS)
- BRASS AIRFLOW SENSOR GAUGE TAPS (GT)
- ACCESS DOOR (AD)

**LINER OPTIONS:**

- FIBERGLASS 1" (25mm) (FG1)
- FIBER FREE FOAM 1/2" (13mm) (FF50)
- FIBER FREE FOAM 3/4" (19mm) (FF)
- FIBER FREE FOAM 1" (25mm) (FF1)
- FOIL FACED FIBERGLASS BOARD 1" (25mm) (FB1)
- SOLID METAL WITH FG1 (SM1)
- CLEANROOM ANGLES WITH FB1 (CRAF1)

ALL METRIC DIMENSIONS ( ) ARE SOFT CONVERTED. IMPERIAL DIMENSIONS ARE CONVERTED TO METRIC AND ROUNDED TO THE NEAREST MILLIMETER.

<b>PROJECT:</b>		<b>PRICE</b>	
<b>ENGINEER:</b>			
<b>CUSTOMER:</b>		273957	<b>SINGLE DUCT TERMINAL VARIABLE VOLUME PIPING PACKAGE CONTROLS/PIPING PACKAGE OPPOSITE SIDE</b>
<b>SUBMITTAL DATE:</b>	<b>SPEC. SYMBOL:</b>	02/06/2023	



**3-WAY DETAIL**

UNIT SIZE	MAX CFM	MAX L/S	WIDTH		HEIGHT	INLET SIZES		LENGTH		
			W	H		D	L	A	B	
4	400	189	12 (305)	8 (203)	3 7/8 (98)	15 3/4 (400)	6 3/8 (162)	3 13/16 (97)	4 3/8 (111)	5 5/16 (135)
5	500	236								
6	550	260								
7	800	378								
8	1100	519								
9	1400	661	14 (356)	12 1/2 (318)	8 7/8 (225)	19 1/4 (489)	4 3/8 (111)	5 5/16 (135)		
10	1800	850								
12	2600	1227	16 (406)	15 (381)	11 7/8 (302)	15 1/2 (394)	3 1/2 (89)	2 3/4 (70)		
14	3700	1746	20 (508)	17 1/2 (445)	13 7/8 (352)					
16	5000	2360	24 (610)	18 (457)	15 7/8 (403)					
24 x 16	8400	3964	38 (965)		23 7/8 (603) x 15 7/8 (403)					

**STANDARD CONSTRUCTION:**

- 1/2" (13mm) THICK INTERNAL FIBERGLASS INSULATION WHICH MEETS REQUIREMENTS OF NFPA 90A AND UL181.
- 22GA. ZINC COATED STEEL HOUSING. MECHANICALLY SEALED, LEAK RESISTANT CONSTRUCTION.
- RECTANGULAR DISCHARGE OPENING WITH SLIP AND DRIVE CLEAT DUCT CONNECTION.
- MULTI-POINT, CENTER AVERAGING AIRFLOW SENSOR.
- 1/2" (13mm) ZINC PLATED DAMPER SHAFT WITH POSITION INDICATOR.
- SIZES 4 & 5 USE AN INLET REDUCER.
- EXTENSION REQUIRED WHEN CONTROLS SAME SIDE AS PIPING PACKAGE

**CONTROLS OPTIONS:**

- FACTORY MOUNTED DIGITAL CONTROLS, SUPPLIED BY OTHERS (FAC)
- FIELD MOUNTED, CONTROLS SUPPLIED BY OTHERS (FLD)
- DIGITAL CONTROLS SUPPLIED AND MOUNTED BY PRICE (EHP)

**UNIT OPTIONS:**

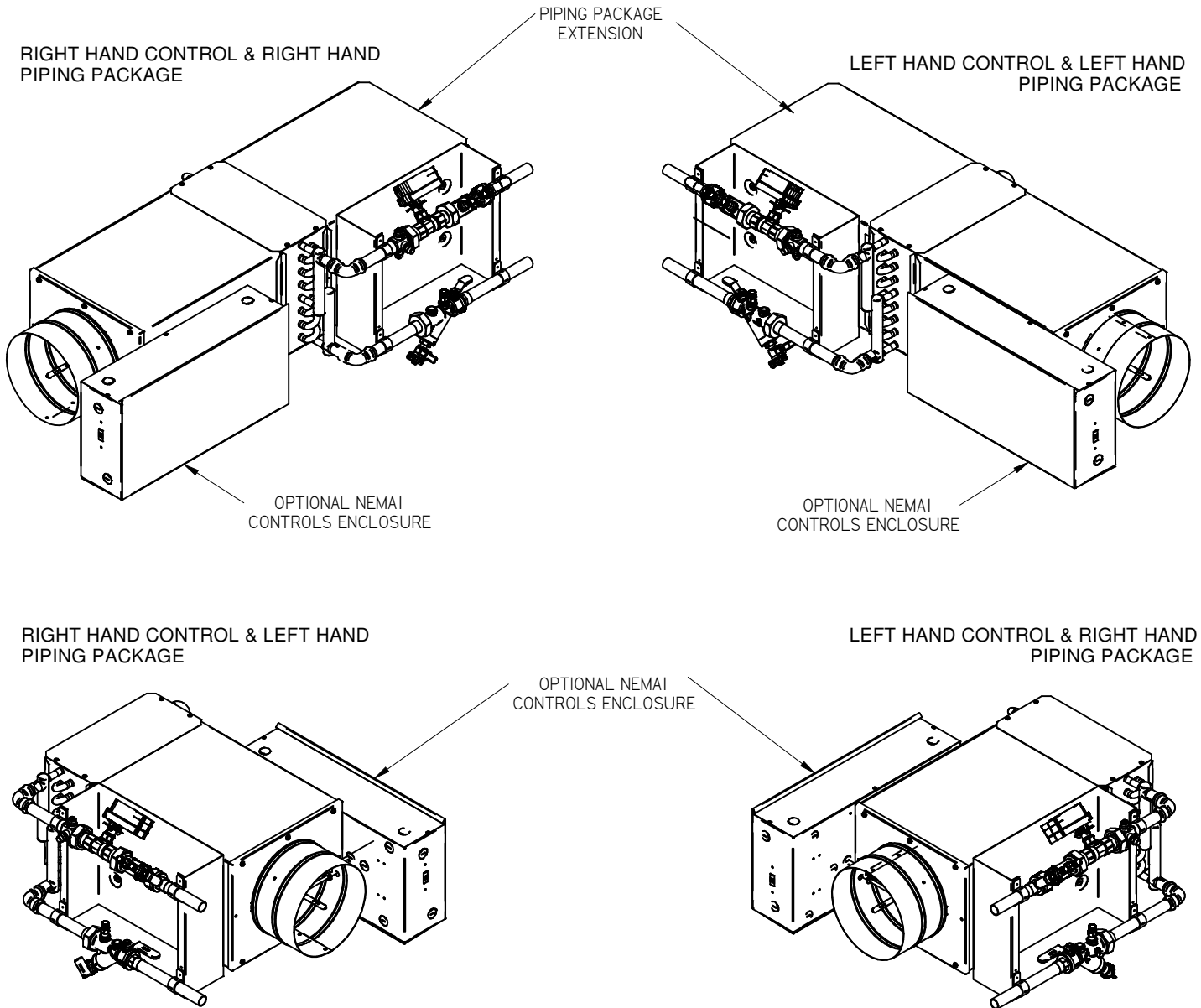
- NEMA1 CONTROLS ENCLOSURE (PS)
- DISCONNECT SWITCH (DSW)
- 20 GAUGE CASING (20GA)
- HANGER BRACKETS (HB)
- BOTTOM REMOVABLE SENSOR (RS)
- BRASS AIRFLOW SENSOR GAUGE TAPS (GT)
- ACCESS DOOR (AD)
- EXTENSION ACCESS DOOR WITH SCREWS (ADD)
- EXTENSION ACCESS DOOR WITH SNAP LATCHES (ADDL)
- EXTENSION ACCESS DOOR QUARTER TURN LATCHES (ADDQ)

**LINER OPTIONS:**

- FIBERGLASS 1" (25mm) (FG1)
- FIBER FREE FOAM 1/2" (13mm) (FF50)
- FIBER FREE FOAM 3/4" (19mm) (FF)
- FIBER FREE FOAM 1" (25mm) (FF1)
- FOIL FACED FIBERGLASS BOARD 1" (25mm) (FB1)
- SOLID METAL WITH FG1 (SM1)
- CLEANROOM ANGLES WITH FB1 (CRAF1)

ALL METRIC DIMENSIONS ( ) ARE SOFT CONVERTED. IMPERIAL DIMENSIONS ARE CONVERTED TO METRIC AND ROUNDED TO THE NEAREST MILLIMETER.

<b>PROJECT:</b>		<b>PRICE</b>	
<b>ENGINEER:</b>			
<b>CUSTOMER:</b>		273957	<b>SINGLE DUCT TERMINAL VARIABLE VOLUME PIPING PACKAGE CONTROLS/PIPING PACKAGE SAME SIDE</b>
<b>SUBMITTAL DATE:</b>	<b>SPEC. SYMBOL:</b>	02/06/2023	

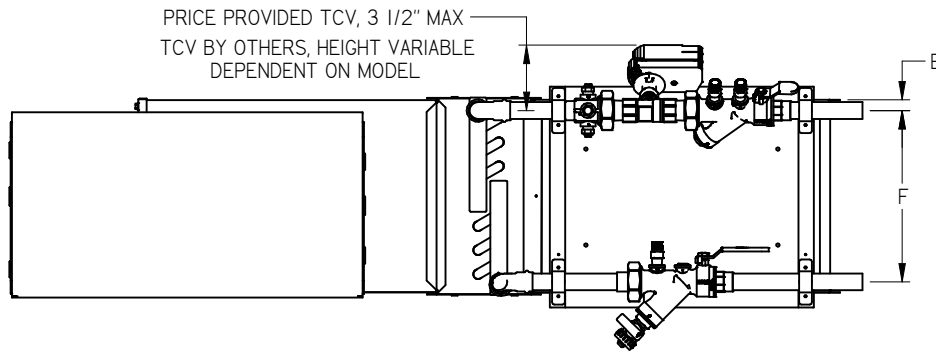


**NOTES:**

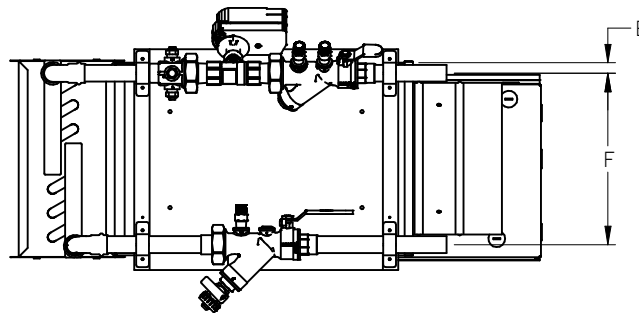
1. VALVES TO BE ASSEMBLED, TESTED AND SHIPPED AS DEPICTED
2. REFER TO SUBMITTED TERMINAL UNIT SCHEDULE FOR UNIT AND COIL HANDING
3. EXTENSION PROVIDED WHEN CONTROLS AND COIL HANDING ARE ON THE SAME SIDE
4. EXTENSION INSULATED TO MATCH TERMINAL UNIT LINER
5. PRESS CONNECTION BETWEEN VALVES AND COIL

ALL METRIC DIMENSIONS ( ) ARE SOFT CONVERTED. IMPERIAL DIMENSIONS ARE CONVERTED TO METRIC AND ROUNDED TO THE NEAREST MILLIMETER.

<b>PROJECT:</b>		<b>PRICE</b>	
<b>ENGINEER:</b>		G	<b>SDV</b>
<b>CUSTOMER:</b>		273957	SINGLE DUCT TERMINAL VARIABLE VOLUME PIPING PACKAGE ORIENTATION
<b>SUBMITTAL DATE:</b>	<b>SPEC. SYMBOL:</b>	02/06/2023	



CONTROLS/PIPING PACKAGE SAME SIDE



CONTROLS/PIPING PACKAGE OPPOSITE SIDE

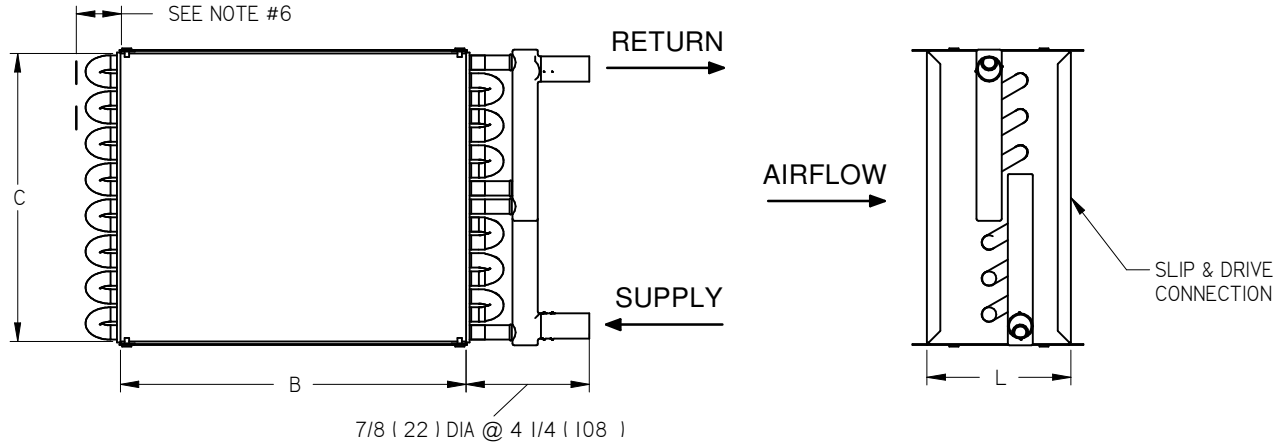
UNIT SIZE	1 ROW			2 ROW		3 ROW		4 ROW	
	E (RH COIL)	E (LH COIL)	F	E	F	E	F	E	F
4-6	3/8 (11)	1 (25)	6 1/4 (159)	1/2 (13)	6 7/8 (175)	5/8 (17)	5 3/4 (147)	5/8 (17)	6 3/8 (163)
7-8	3/8 (11)	1 (25)	8 3/4 (222)	5/8 (17)	8 7/8 (227)	5/8 (17)	8 1/4 (211)	5/8 (17)	8 7/8 (227)
9-10	5/8 (17)	1 1/4 (33)	10 3/4 (274)	5/8 (17)	11 3/8 (290)	5/8 (17)	10 3/4 (274)	5/8 (17)	11 3/8 (290)
12	5/8 (17)	1 1/4 (33)	13 1/4 (338)	5/8 (17)	13 7/8 (354)	5/8 (17)	13 1/4 (338)	5/8 (17)	13 7/8 (354)
14	5/8 (17)	1 1/4 (33)	15 3/4 (401)	5/8 (17)	16 3/8 (417)	5/8 (17)	15 3/4 (401)	5/8 (17)	16 3/8 (417)
16	5/8 (17)	1 1/4 (33)	15 3/4 (401)	5/8 (17)	16 3/8 (417)	5/8 (17)	15 3/4 (401)	5/8 (17)	16 3/8 (417)
24X16	5/8 (17)	1 1/4 (33)	15 3/4 (401)	5/8 (17)	16 3/8 (417)	5/8 (17)	15 3/4 (401)	5/8 (17)	16 3/8 (417)

**NOTES:**

1. VALVES TO BE ASSEMBLED, TESTED AND SHIPPED AS DEPICTED
2. REFER TO SUBMITTED TERMINAL UNIT SCHEDULE FOR UNIT AND COIL HANDING
3. EXTENSION PROVIDED WHEN CONTROLS AND COIL HANDING ARE ON THE SAME SIDE
4. EXTENSION INSULATED TO MATCH TERMINAL UNIT LINER
5. 'E' DIMENSION IS TAKEN FROM TOP OF UNIT TO RETURN PIPE

ALL METRIC DIMENSIONS ( ) ARE SOFT CONVERTED. IMPERIAL DIMENSIONS ARE CONVERTED TO METRIC AND ROUNDED TO THE NEAREST MILLIMETER.

<b>PROJECT:</b>		<b>PRICE</b>	
<b>ENGINEER:</b>			
<b>CUSTOMER:</b>		273957	<b>SINGLE DUCT TERMINAL VARIABLE VOLUME PIPING PACKAGE COILS CENTER DIMENSIONS</b>
<b>SUBMITTAL DATE:</b>	<b>SPEC. SYMBOL:</b>	02/06/2023	



NOMINAL SIZE	SI UNITS (mm)				
	B (WIDTH)	C (HEIGHT)	COIL CONNECTIONS		
			1,2,3,4 ROWS	1,2 ROW	3,4 ROWS
4,5,6	305	203	22	127	184
7,8	305	254	22	127	184
9,10	356	318	22	127	184
12	406	381	22	127	184
14	508	445	22	127	184
16	610	457	22	127	184
24 X 16	965	457	22	127	184

NOMINAL SIZE	IMPERIAL UNITS (in)				
	B (WIDTH)	C (HEIGHT)	COIL CONNECTIONS		
			1,2,3,4 ROWS	1,2 ROW	3,4 ROWS
4,5,6	12	8	7/8	5	7 1/4
7,8	12	10	7/8	5	7 1/4
9,10	14	12 1/2	7/8	5	7 1/4
12	16	15	7/8	5	7 1/4
14	20	17 1/2	7/8	5	7 1/4
16	24	18	7/8	5	7 1/4
24 X 16	38	18	7/8	5	7 1/4

**NOTE:**

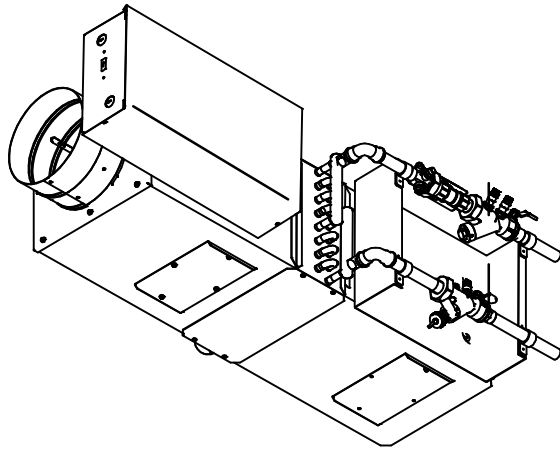
- FABRICATED FROM 22 GA. GALVANIZED STEEL MECHANICALLY SEALED, LEAK RESISTANT CONSTRUCTION.
- HOT WATER COILS HAVE COPPER TUBES AND ALUMINUM FINS WITH O.D. SWEAT CONNECTIONS.
- REFER TO SUBMITTED TERMINAL UNIT SCHEDULE FOR AIR VOLUMES AND REHEAT COIL CAPACITIES.
- METHOD OF VENTING PROVIDED ON PIPING PACKAGE.
- HANDING OF WATER COIL CONNECTIONS IS DETERMINED WHEN VIEWED FROM AIR INLET SIDE WITH ACCESS DOOR ON BOTTOM. RIGHT HAND COIL CONNECTION ILLUSTRATED ABOVE.
- ALLOW 1 1/2" [38] MINIMUM CLEARANCE FOR INSTALLATION AT THIS END.
- CONFIGURATION OF COIL CONNECTION VARIES WITH GPM RANGE SELECTIONS.
- PERFORMANCE RATED AND CERTIFIED IN ACCORDANCE WITH THE CURRENT EDITION OF AHRI STANDARD 410.
- STANDARD COILS SUPPLIED WITH 10 FINS PER INCH.
- WATER CONNECTIONS ORIENTED TOWARDS DISCHARGE OR INLET, DEPENDING ON CONFIGURATION SELECTED.
- IT IS NOT RECOMMENDED TO REVERSE 3 & 4 ROW COILS. INDICATE HANDING WHILE ORDERING
- IMAGES NOT REPRESENTATIVE OF SUPPLY AND RETURN LOCATIONS

**OPTIONS:**

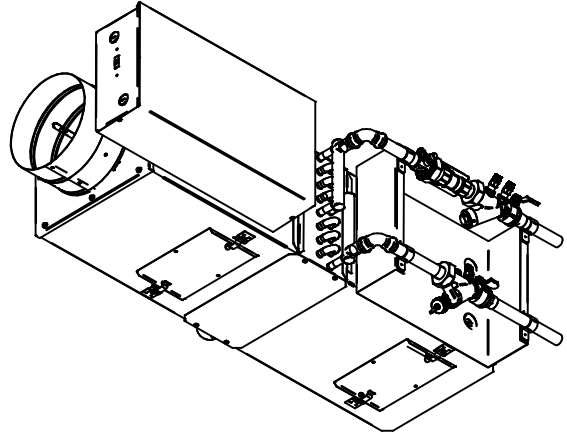
- HC (HIGH CAPACITY) WATER COIL  
HIGH CAPACITY COIL SUPPLIED WITH 12 FINS PER INCH.  
1 AND 2 ROW COILS AVAILABLE.

ALL METRIC DIMENSIONS ( ) ARE SOFT CONVERTED. IMPERIAL DIMENSIONS ARE CONVERTED TO METRIC AND ROUNDED TO THE NEAREST MILLIMETER.

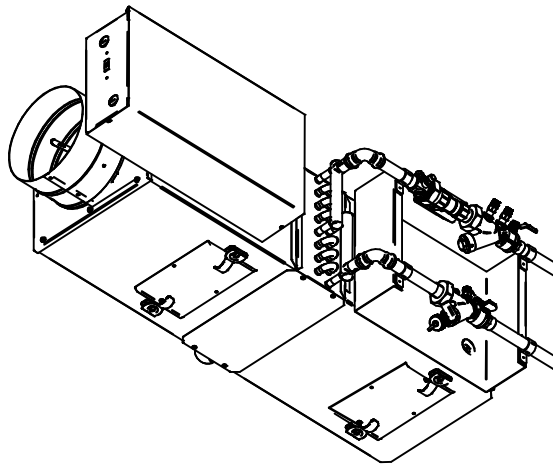
<b>PROJECT:</b>		<b>PRICE</b>
<b>ENGINEER:</b>		
<b>CUSTOMER:</b>		G
<b>SUBMITTAL DATE:</b>		273957
<b>SPEC. SYMBOL:</b>		02/06/2023
<b>SDV</b> SINGLE DUCT TERMINAL VARIABLE VOLUME WATER COIL NOTES		



ADD - DUAL ACCESS DOOR WITH SCREWS



ADDL - DUAL ACCESS DOOR WITH SNAP LATCHES



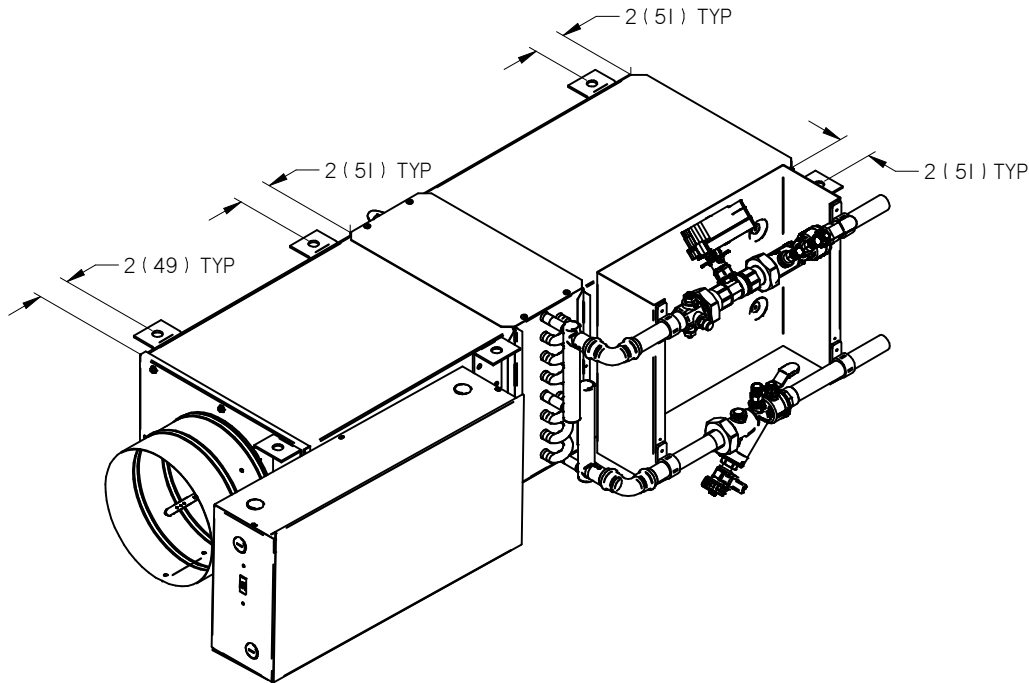
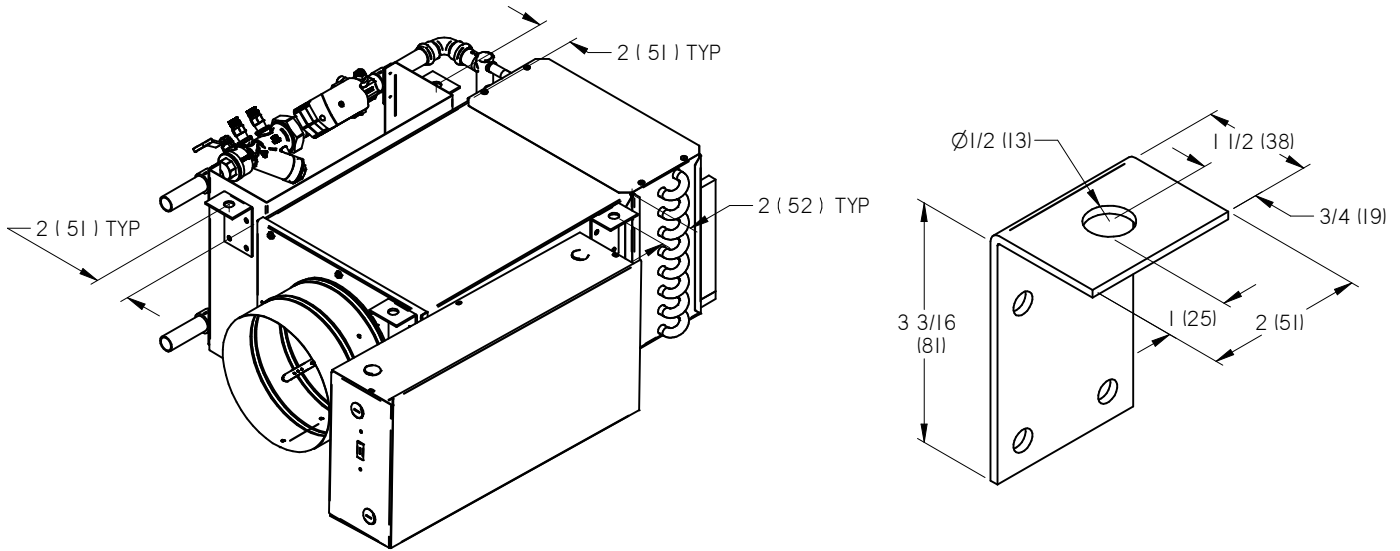
ADDQ - DUAL ACCESS DOOR WITH QUARTER TURN LATCHES

**CONSTRUCTION NOTES:**

- EXTENSION INSULATED TO MATCH TERMINAL UNIT LINER.
- STANDARD DOOR SIZES PROVIDED AT 4" (102) X 6 3/4" (171).
- BOTTOM ACCESS DOORS FOR INSPECTION AND MAINTENANCE OF COIL.
- GASKETED PERIMETER INCLUDED WITH ALL FASTENER STYLES.
- INSULATED, 22 GAUGE GALVANIZED DUAL WALL ACCESS DOOR.  
(NON-DUAL WALL WITH FIBER FREE)

ALL METRIC DIMENSIONS ( ) ARE SOFT CONVERTED. IMPERIAL DIMENSIONS ARE CONVERTED TO METRIC AND ROUNDED TO THE NEAREST MILLIMETER.

<b>PROJECT:</b>		<b>PRICE</b>	
<b>ENGINEER:</b>		G	<b>SDV</b>
<b>CUSTOMER:</b>		273957	SINGLE DUCT TERMINAL VARIABLE VOLUME DUAL COIL ACCESS DOORS
<b>SUBMITTAL DATE:</b>	<b>SPEC. SYMBOL:</b>	02/06/2023	

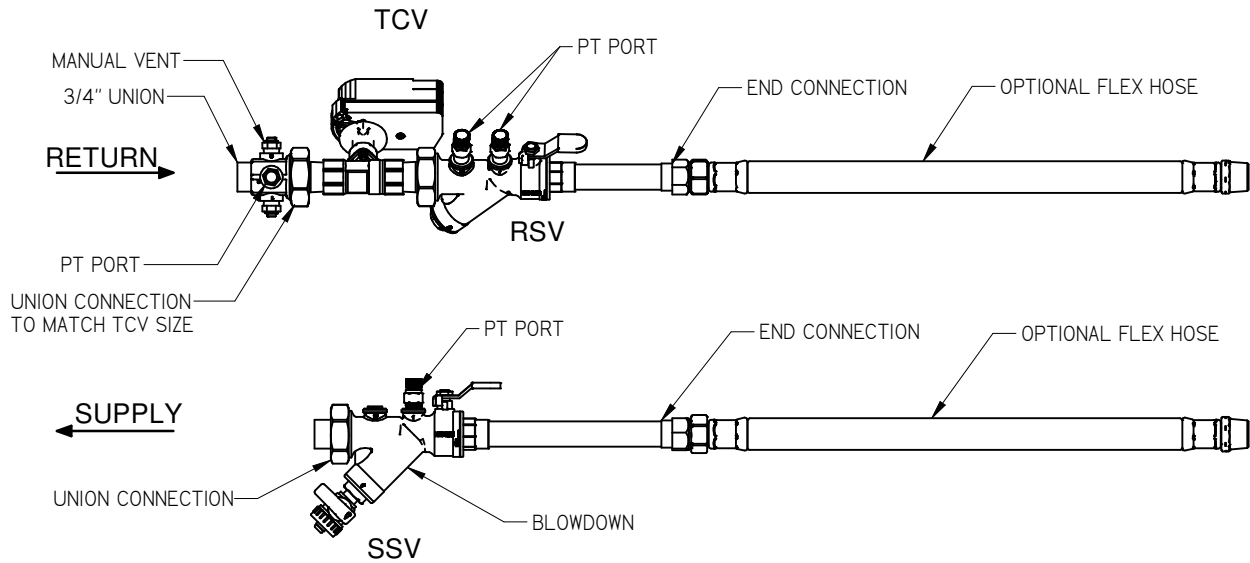


**NOTES:**

- HANGER BRACKET ARE 12 GAUGE GALVANIZED STEEL.
- 4 BRACKETS PER UNIT. 2 BRACKETS PER EXTENSION
- LAYOUT INDICATES SUGGESTED HANGER BRACKET LOCATIONS.
- BRACKETS ARE SHIPPED LOOSE FOR FIELD INSTALLATION FOR USE WITH FASTENERS AND THREADED HANGER RODS (BY OTHERS).

ALL METRIC DIMENSIONS ( ) ARE SOFT CONVERTED. IMPERIAL DIMENSIONS ARE CONVERTED TO METRIC AND ROUNDED TO THE NEAREST MILLIMETER.

<b>PROJECT:</b>		<b>PRICE</b>	
<b>ENGINEER:</b>		GH	<b>SDV</b>
<b>CUSTOMER:</b>		273957	SINGLE DUCT TERMINAL VARIABLE VOLUME HANGER BRACKETS
<b>SUBMITTAL DATE:</b>	<b>SPEC. SYMBOL:</b>	02/06/2023	



**STANDARD FEATURES:**

- SUPPLY SIDE VALVE (SSV): Y STRAINER ISOLATION VALVE W/ PT PORTS & BLOWDOWN.
- ON/OFF & MODULATING TEMPERATURE CONTROL VALVE(TCV) BY PRICE: 2 WAY, 24 VAC, NON SPRING TYPE, ORIENTATION: NORMALLY OPEN, FAIL MODE: NORMALLY OPEN.
- FLOATING TEMPERATURE CONTROL VALVE(TCV) BY PRICE: 2 WAY, 24 VAC, ORIENTATION: NORMALLY OPEN, NON SPRING TYPE, FAIL MODE: FAIL IN PLACE.

**OPTIONAL FEATURES:**

**TCV PROVIDED BY:**

- PRICE  OTHERS

**TCV SIZE:**

- 1/2"  3/4"  1"

**TCV CONTROL TYPE:**

- ON-OFF  FLOAT  
 MODULATING

**TCV Cv (MODULATING ONLY):**

- 1/2"
  - 1.2  2.4  5.9
- 3/4"
  - 0.5  2.3  4.6  9.8
- 1"
  - 0.5  2.2  4.3  8.2

**RETURN SIDE VALVE (RSV):**

- MANUAL BALANCING ISOLATION VALVE W/ PT PORTS  
 AUTOMATIC BALANCING ISOLATION VALVE W/ PT PORTS

**FLEX HOSE (FH):**

- 18"

**END CONNECTION:**

- 1/2" SWT  1/2" MNPT  1/2" HOSE  
 3/4" SWT  3/4" MNPT  3/4" HOSE  
 1" SWT  1" MNPT  1" HOSE

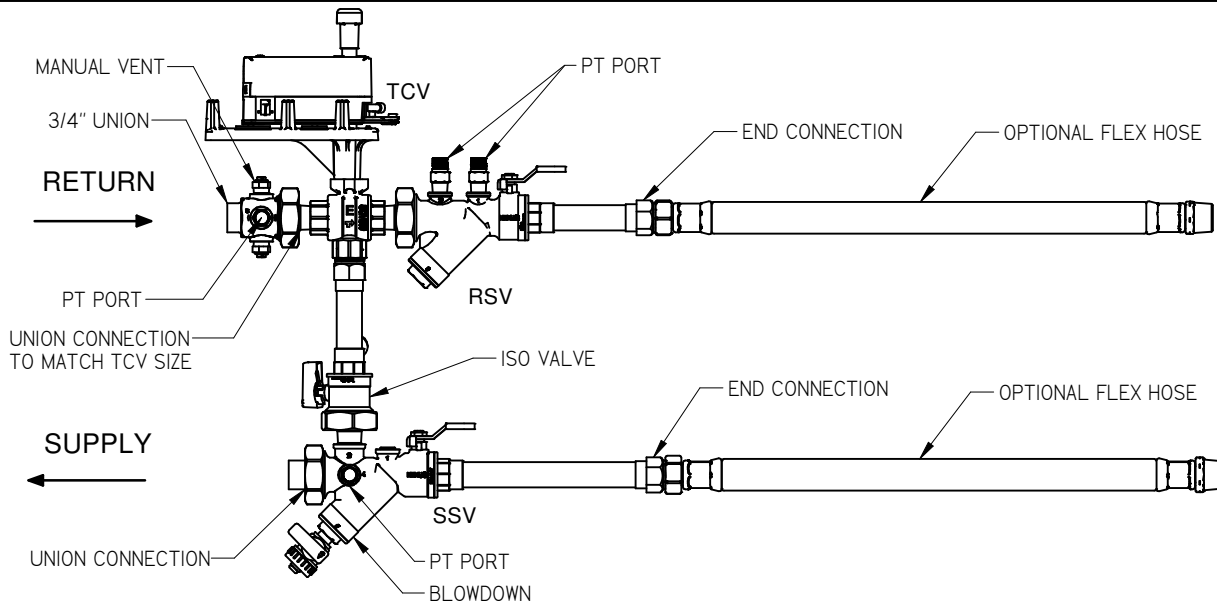
**NOTES:**

1. VALVES TO BE ASSEMBLED, TESTED AND SHIPPED AS DEPICTED.
2. SYSTEM COMES WITH SHUT-OFF VALVE ON SUPPLY & RETURN SIDE FOR ISOLATION
3. CUSTOMER TO PROVIDE FLOW RATE (GPM) FOR EACH CONFIGURATION OF PIPING PACKAGE.
4. WHEN FLEX HOSE (FH) IS SELECTED, ONLY MNPT & NSPH END CONNECTIONS ARE AVAILABLE.
5. PIPING PACKAGE ASSEMBLY BASED ON A MAX TEMPERATURE CONTROL VALVE BODY LENGTH OF:
  - FOR 1/2" LINE SIZE: 4"
  - FOR 3/4" & 1" LINE SIZE: 2 3/4"

ALL METRIC DIMENSIONS ( ) ARE SOFT CONVERTED. IMPERIAL DIMENSIONS ARE CONVERTED TO METRIC AND ROUNDED TO THE NEAREST MILLIMETER.

<b>PROJECT:</b>		<b>PRICE</b>	
<b>ENGINEER:</b>		GH	<b>SDV</b>
<b>CUSTOMER:</b>		273958	SINGLE DUCT TERMINAL VARIABLE VOLUME 2-WAY PIPING PACKAGE
<b>SUBMITTAL DATE:</b>	<b>SPEC. SYMBOL:</b>	05/06/2022	





**STANDARD FEATURES:**

- SUPPLY SIDE VALVE (SSV): Y STRAINER ISOLATION VALVE W/ PT PORTS & BLOWDOWN
- TEMPERATURE CONTROL VALVE(TCV) BY PRICE: 3 WAY, MODULATING, 24 VAC, NON SPRING TYPE, NORMALLY OPEN ORIENTATION, FAIL MODE: FAIL IN PLACE.
- TEMPERATURE CONTROL VALVE(TCV) BY PRICE: 3 WAY, ON/OFF, 24 VAC, SPRING TYPE, NORMALLY OPEN ORIENTATION, FAIL MODE: FAIL SAFE.

**OPTIONAL FEATURES:**

**TCV PROVIDED BY:**

- PRICE  OTHERS

**TCV SIZE:**

- 1/2"  3/4"

**TCV CONTROL TYPE:**

- ON/OFF  MODULATING

**TCV Cv (MODULATING ONLY):**

- 1/2"
  - 1.0  1.6  4.0  6.3
- 3/4"
  - 6.3  10

**RETURN SIDE VALVE (RSV):**

- MANUAL BALANCING ISOLATION VALVE W/ PT PORTS
- AUTOMATIC BALANCING ISOLATION VALVE W/ PT PORTS

**FLEX HOSE (FH):**

- 18"

**END CONNECTION:**

- 1/2" SWT  1/2" MNPT  1/2" HOSE
- 3/4" SWT  3/4" MNPT  3/4" HOSE

**NOTES:**

1. VALVES TO BE ASSEMBLED, TESTED AND SHIPPED AS DEPICTED.
2. SYSTEM COMES WITH SHUT-OFF VALVE ON SUPPLY & RETURN SIDE FOR ISOLATION
3. CUSTOMER TO PROVIDE FLOW RATE (GPM) FOR EACH CONFIGURATION OF PIPING PACKAGE.
4. WHEN FLEX HOSE (FH) IS SELECTED, ONLY MNPT & NSPH END CONNECTIONS ARE AVAILABLE.
5. 3 WAY TEMPERATURE CONTROL VALVE PIPED IN MIXING.
6. PIPING PACKAGE ASSEMBLY BASED ON A MAX TEMPERATURE CONTROL VALVE BODY LENGTH OF:
  - FOR 1/2" LINE SIZE: 4"
  - FOR 3/4" & 1" LINE SIZE: 2 3/4"

ALL METRIC DIMENSIONS ( ) ARE SOFT CONVERTED. IMPERIAL DIMENSIONS ARE CONVERTED TO METRIC AND ROUNDED TO THE NEAREST MILLIMETER.

<b>PROJECT:</b>		<b>PRICE</b> <sup>®</sup>	
<b>ENGINEER:</b>		GH	<b>SDV</b>
<b>CUSTOMER:</b>		273958	<b>SINGLE DUCT TERMINAL VARIABLE VOLUME 3-WAY PIPING PACKAGE</b>
<b>SUBMITTAL DATE:</b>	<b>SPEC. SYMBOL:</b>	05/06/2022	